



# SERVICE SCHEDULES

**Note:**

**All references to charges and charging structures are subject to the finalisation of the JT Price List and approval by TRC**

## TABLE OF CONTENTS

Schedule.....	Page number
SCHEDUL 101. JT VOICE INTERCONNECT LINK SERVICE.....	4
SCHEDUL 102. JT TRANSMISSION LINK SERVICE .....	7
SCHEDUL 103. JT COLLOCATION AND INFRASTRUCTURE SHARING SERVICE.....	11
SCHEDUL 104. JT VOICE INTERCONNECT LINK EXTENSION .....	17
SCHEDUL 105. JT NATIONAL CALL TERMINATION .....	19
SCHEDUL 106. JT CALL TRANSIT .....	21
SCHEDUL 107. JT NON-GEOGRAPHIC CALL ORIGINATION SERVICE.....	23
SCHEDUL 108. JT NON-GEOGRAPHIC CALL TERMINATION SERVICE .....	25
SCHEDUL 109. JT NATIONAL DIRECTORY ENQUIRIES .....	26
SCHEDUL 110. JT CALL CONNECTION SERVICE.....	28
SCHEDUL 111. JT EMERGENCY SERVICES.....	30
SCHEDUL 112. JT INTERNATIONAL ACCESS .....	32
SCHEDUL 113. JT SDH BANDWIDTH SERVICE.....	33
SCHEDUL 114. JT INTERNATIONAL IP CAPACITY .....	35
SCHEDUL 115. JT DATA INTERCONNECTION LINK SERVICE .....	37
SCHEDUL 116. DIAL-UP IP TRAFFIC COLLECTION .....	39
SCHEDUL 117. JT BROADBAND IP TRAFFIC COLLECTION.....	40
SCHEDUL 118. JT PERMANENT DATA TRAFFIC COLLECTION .....	41
SCHEDUL 120. JT IPSTREAM SERVICE .....	42

<b>SCHEDUL 121.</b>	<b>THIRD PARTY CARRIER SELECTION AND PRE-SELECTION TRAFFIC</b>	
<b>ORIGINATION</b>	<b>.....</b>	<b>51</b>
<b>SCHEDUL 122.</b>	<b>JT CARRIER SELECTION TRAFFIC ORIGINATION.....</b>	<b>54</b>
<b>SCHEDUL 123.</b>	<b>CARRIER PRESELECTION TRAFFIC ORIGINATION .....</b>	<b>57</b>
<b>SCHEDUL 124.</b>	<b>JT 0800XXXXX PRE-PAID INTERNET DIAL-UP ACCESS SERVICE .....</b>	<b>60</b>
<b>SCHEDUL 501.</b>	<b>INTERNATIONAL FLAG CONNECTION SERVICE.....</b>	<b>62</b>

## **SCHEDUL 101. JT VOICE INTERCONNECT LINK SERVICE**

### **1. DESCRIPTION OF SERVICE**

- 1.1 JT Voice Interconnect Link Service is defined as a service where JT provides one or more links over which voice traffic between its Network and the Network of another Licensee flows. An Interconnect Link shall be terminated at one end on the network of JT and at the other end on the network of the Licensee and may carry signalling information in accordance with Annex D.1.5.
- 1.2 JT Voice Interconnect Link Service can be configured as either unidirectional or bi-directional.
- 1.3 JT Voice Interconnect Link Service is delivered as Customer Sited Interconnect or Collocated, as described in Annex D.
- 1.4 The boundary between the JT and Licensee Network shall be the Digital Distribution Frame (DDF) of the CSI equipment sited by JT at the Licensees' site, or, in the case of Collocation, at a designated DDF at the JT Interconnect Node.
- 1.5 JT Voice Interconnect Link Service for Interconnection is available at the JT Interconnect Nodes detailed at Appendix D.1 of Annex D.

### **2. TERMS AND CONDITIONS**

- 2.1 The minimum capacity of a JT Voice Interconnect Link Service shall be 2 Megabit/s.
- 2.2 The Licensee wishing to interconnect with JT is required to establish Interconnect Links with a minimum two Interconnect Nodes. The minimum number of Interconnect Nodes required on a Licensee's Network to interconnect with the JT Network shall be one.
- 2.3 The minimum term under which an individual JT Voice Interconnect Link Service is provided is one year from the date of handover.
- 2.4 Planning of JT Voice Interconnect Link Service transmission paths, including civil engineering works will be the responsibility of JT. However, the Licensee shall collaborate in such planning exercises in accordance with clause 1.5 of the Main Document.

2.5 The Licensee may cancel the JT Voice Interconnect Link Service upon written notice at least 1 (one) month prior to the date of termination, subject to clause 2.3 above.

### 3. CHARGES

3.1 JT Voice Interconnect Link Service charging shall consist of the following elements:

3.1.1 Charges for Customer Sited Interconnect Links :

- (a) Installation charge
- (b) 2Mbps Port monthly rental charge
- (c) Fixed monthly Rental charge for the first 30km of any Link
- (d) Monthly Rental charge for each Link kilometre over 30km, where applicable

3.1.2 Charges for collocated Interconnect Link Service:

- (a) Installation charge
- (b) 2Mbps Port monthly rental charge

3.2 The elements of installation charges for JT Voice Interconnect Link Service shall comprise the port installation charge, as well as transmission installation charges at the Licensee's Interconnect Node for Customer Sited Interconnect. The costs of installation shall include the costs of establishing and testing the link and associated equipment.

3.3 The rental element of charging for JT Voice Interconnect Link Service shall comprise the port rental charges in all cases, as well as transmission charges from the Licensee's Interconnect Node to the JT Voice Interconnect Node for Customer Sited Interconnect.

3.4 The distance element of charging for Customer Sited JT Voice Interconnect Link Service shall comprise a fixed rental charge for any Link within 30 kilometre of the JT Interconnect Node and, where applicable, rental charges for each kilometre of the Radial distance of the circuit over 30 kilometres. Radial distances shall be rounded up to the nearest kilometre.

3.5 The installation charges of each JT Voice Interconnect Link Service shall be as detailed in the JT Price List.

3.6 Where a JT Voice Interconnect Link Service is designated as bi-directional by JT and the Licensee, the installation charges of the JT Voice Interconnect Link Service shall be shared equally between the Licensee and JT. Rental

charges shall be shared on the basis of the proportion of traffic which is originated by JT and the Licensee respectively on each bi-directional link. This shall be shared on the basis of traffic volumes measured in call minutes over the preceding 3 months. Bills should be retrospectively adjusted.

- 3.7 For the avoidance of doubt, neither JT nor the Licensee shall be obliged to convey traffic to the other over a bi-directional path.
- 3.8 The cancellation of a request for services stipulated in this Schedule, where ordered within the forecast supplied by the Licensee in accordance with the forecasting procedures in Annex E, shall incur a full connection charge which shall be treated as a prepayment which the Licensee may apply to a similar 2 Megabit/s service on exactly the same route at any time during a period 12 months from the date of order of the initial cancelled circuit. Ongoing monthly rental charges shall not be applied to the cancelled service.
- 3.9 The cancellation of a request for service stipulated in this Schedule, where ordered outside the forecast supplied by the Licensee in accordance with the procedure at Annex E, shall incur a non-refundable charge amounting to 50% of the connection charge set out in the Price List.
- 3.10 For the avoidance of doubt, a request by the Licensee for the relocation of one or both termination points of the service shall be treated as a ceasing of the service subject to Clause 2.3 of this Service Schedule, the forecasting procedure set out in Annex E and a new provision subject to the charges set out in this clause 3 and the JT Price List.

## **SCHEDUL 102. JT TRANSMISSION LINK SERVICE**

### **1. DESCRIPTION OF SERVICE**

- 1.1 JT Transmission Link Service is defined as a service where JT provides transport link capacities (64 Kbps \* n, E1, E3, DS3, STM-1, where n=1, 2, 4, 8, 16) to other Licensees for the implementation of Interconnection and / or the provision of the service.
- 1.2 For the avoidance of doubt, JT Transmission Link Service will be provided to interconnect the equipment of the same Licensee or different Licensees and it cannot be provided to the premises of a Licensee's end-user.
- 1.3 JT Transmission Link Service may be provided in two options: bandwidth with one or two accesses using any appropriate technology in a combination of bandwidth on the JT network and/or Local Access circuit(s), depending on the respective location of the two ends of the requested transport Link. See details of technical information in the addendum to Annex D of JT's RIO.
- 1.4 The boundary between the JT and the Licensees networks shall be either the JT Digital or Optical Distribution Frame.

### **2. TERMS AND CONDITIONS**

- 2.1 JT Transmission Link Service is provided with transport link capacities 64 Kbps \* n, where n=1, 2, 4, 8, 16. and with the capacities at the levels of E1, E3, DS3 and STM-1 and/ or multiples of them.
- 2.2 The minimum term, under which an individual JT Transmission Link Service is provided, is 1 (one) year from the date of handover.
- 2.3 The Licensees may cancel the JT Transmission Link Service upon written notice at least 1 (one) month prior to the date of termination, subject to subclause 2.2 above.
- 2.4 Planning of JT Transmission Link Service transport paths, including civil engineering works, will be the responsibility of JT. However, the Licensees shall collaborate in such planning exercises in accordance with clause 1.5 of the Main Document in JT's RIO.
- 2.5 The Licensees shall provide JT with the space ,power and A/C required to install JT equipment within JT specification at their own expenses (see clause D3 in the Addendum to Annex D of JT's RIO) .

- 2.6 The Licensees shall facilitate the access to JT collocated equipment at their premises by providing JT with:
- a key or on-call person to access the room where the JT equipment is collocated.
  - sufficient space for safe maintenance and testing of JT's equipment.
  - power supply to connect JT testing equipment.
- 2.7 For the avoidance of doubt, any delay to restore the affected service due to not gaining access to JT equipment, will be the responsibility of the Licensees in terms of exceeding the agreed upon Time to Repair, Availability or any other service level attributes mentioned in the contract or Service Level Agreement between JT and the other Licensees, which means that JT will not be penalized for such cases.
- 2.8 If the service is provided for the purpose of interconnecting the equipment of two different Licensees, then the followings will be applicable:
- 2.8.1 JT is not a part in any mutual agreements between the two Licensees related to the purpose for which that physical link was established. This means that JT will not intervene in any arrangements agreed upon between the two Licensees. JT will be merely responsible for installing ,operating, and maintaining the link connecting both of them.
- 2.8.2 The Licensee requesting the service will be responsible in front of JT in case of breaching the terms and conditions or in case of non payment of JT bills related to the service as the operator requesting the interconnection will be responsible for paying JT bills.
- 2.9 This service is governed by the Service Level Offer mentioned in the JT's RIO (refer to JT Transmission Link Service schedule for the Delivery Lead Time , Availability , and Fault Repair Time).
- 2.10 JT will not be responsible, or pay any penalties for the following cases:
- the service is interrupted due to the works or misdoings of any of the two Licensees or any third party working on behalf of them.
  - The service is interrupted due to Force Majeure (as defined in JT's RIO).
  - The service is interrupted due to JT planned works coordinated simultaneously with the two Licensees.
- 2.11 JT Collocation and Infrastructure Sharing Service should be paid and arranged separately with JT. This means that JT service pricing does not include the prices of JT Collocation and Infrastructure Sharing Service.

### 3. CHARGES



- 3.1 As the JT Transmission Link Service is used to provide transport links capacities which are not used for the purpose of interconnection between JT and other Licensees, the charges of the service shall be borne totally by the requesting Licensee.
- 3.2 The charges of JT Transmission Link Service shall consist of the following elements:

**3.2.1 For E1 level or lower :**

- (a) Bandwidth installation charge.
- (b) Bandwidth with one access installation charge, for each Local Access circuit required to connect the sites designated to the Licensee's nodes, if applicable.
- (c) Bandwidth with two accesses installation charge.
- (d) Bandwidth monthly rental charge for each link (fixed –first 16 km).
- (e) Bandwidth with one access monthly rental charge for each link (fixed –first 16 km).
- (f) Bandwidth with two accesses monthly rental charge for each link (fixed –first 16 km).
- (g) Monthly rental charge for each link per radial kilometre over 16 km.(same for bandwidth without or with accesses).

Radial distance is rounded up to the nearest kilometre.

**3.2.2 For DS3, E3, STM-1 levels:**

- (a) Bandwidth installation (set up) charges.
- (b) Bandwidth with one access installation charges.
- (c) Bandwidth with two accesses installation charges.
- (d) Bandwidth monthly rental charges per zone.
- (e) Bandwidth with one access monthly rental charges per zone.
- (f) Bandwidth with two accesses monthly rental charges per zone.

Five zones are defined for charging these levels to cover the Kingdom based on radial distance rounded up to the nearest kilometre. Charges for these levels depend on the followings:

- Zone number.
- Bandwidth level (E3/DS3 or STM-1).
- Bandwidth is with one or two accesses.

For more details about zones and charges of the service, see the JT's RIO Pricelist.

- 3.3 The charges are cost based and geographically weighted averaged based on the assumption that the access path is available between JT transport network

and the Licensee/Licensees locations or sites. In case the access path is not available and additional investments (e.g civil works, cables and additional telecom equipment) are required to reach the Licensees nodes or sites, a feasibility study will be done to estimate these additional costs in order to add them to the installation charges of the service.

- 3.4 In case of DS3 and STM1 levels with two accesses, the total radial distance between Licensee's/Licensees' nodes A and B will be calculated as the sum of radial distance between JT sites on JT's Transport Network plus the sum of radial distance between JT sites and the Licensees nodes.
- 3.5 The cancellation of a request for services stipulated in this Schedule, where ordered within the forecast supplied by the Licensee/licensees in accordance with the forecasting procedures in Annex E of JT's RIO, shall incur a full installation charge which shall be treated as a prepayment which the Licensees may apply to another JT Transmission Link Service on exactly the same route at any time during a period 12 months from the date of order of the initial cancelled circuit. Ongoing monthly rental charges shall not be applied to the cancelled service.
- 3.6 The cancellation of a request for service stipulated in this Schedule, where ordered outside the forecast supplied by the Licensee/Licensees in accordance with the procedure at Annex E, shall incur a non-refundable charge amounting to 50% of the installation charge set out in the Price List.
- 3.7 For the avoidance of doubt, a request by the Licensees for the relocation of one or both termination points of the service shall be treated as a ceasing of the circuit in accordance with Clause 2.2 and 2.3 of this Service Schedule, the forecasting procedure set out in Annex E and a re-provision subject to the installation charge set out in the JT Price List.

**SCHEDUL 103. JT COLLOCATION AND INFRASTRUCTURE SHARING SERVICE**

**1. DESCRIPTION OF SERVICE**

- 1.1 JT Collocation and Infrastructure Sharing Service is defined as the provision by JT of space in its premises and/or the use of part of its physical or virtual infrastructure such as energy, masts, towers, ducts, dark fiber etc. to other Licensees. For the description of duct and dark fiber sharing services refer to JT's RIO, Addendum to Annex-A-Definition.
- 1.2 JT shall offer Collocation and Infrastructure Sharing Service on the grounds of availability at JT's sites which are listed in tables D.1.1, D.1.2, D.1.3, D.1.4, D.1.5 in the attached Addendum to Appendix D.1 of Annex D in JT's RIO.
- 1.3 JT Collocation and Infrastructure Sharing Service shall include, but will not be limited to, space in cabinets, shared or secured rooms, space for antenna on masts or towers, land space, sharing of ducts and dark fibers, power supply (AC or DC), and air-conditioning.
- 1.4 JT shall lease to Licensees, on a non-discriminatory basis, JT Collocation and Infrastructure under the control of JT and required for use by Licensees (refer to clauses 2.1 and 2.2).

**2. TERMS AND CONDITIONS**

- 2.1 JT Collocation and Infrastructure Sharing service will be provided in a transparent manner to Licensees based on a first-come, first served principle according to the date of receipt of a written order which takes the following factors into consideration:
  - 2.1.1 If the available space at a specific site does not fit the first-come Licensee and there are no alternative solutions, then priority will be given to the next –come Licensee after the TRC approval.
  - 2.1.2 Urgency of requirement can be prioritized and justified only after TRC approval. In such cases, if the next-come Licensee's request is more urgent than first-come Licensee, then priority for Collocation and Infrastructure Sharing service will be given to the next-come Licensee.
  - 2.1.3 In circumstances where JT rejects a Licensee's request for collocation space and/or infrastructure sharing on the grounds of availability, JT should propose an alternative solutions, being understood that JT shall not be required to construct new facilities and / or extend its existing facilities for lease to such other Licensees (refer to article 36 of TRC's Explanatory Memorandum). If

alternative solutions are available but will incur extra costs on JT, these costs should be borne by the requesting Licensee. In case of dispute, the TRC shall make a determination.

2.2 JT offers Collocation and Infrastructure Sharing Service to Licensees provided that:

2.2.1 There are sufficient, available and / or unreserved facilities at the requested Collocation and Infrastructure site.

2.2.2 Collocation and Infrastructure Sharing is technically feasible and reasonable and will not adversely affect the operational integrity of the existing equipment at the Collocation and Infrastructure Sharing site under the control of JT or any other Third Party.

2.3 Collocation and Infrastructure Sharing Service is provided for a minimum of 1 (one) year lease. The Licensee may cancel the JT Collocation and Infrastructure Sharing Service upon written notice at least 60 days prior to the date of termination.

2.4 Collocation and Infrastructure Sharing Service may be reserved up to 6 (six) months in advance provided the request for reservation is reasonable, the facilities are available and the relevant reservation forms have been completed and charges were paid to JT. For the avoidance of doubt, the prices of reservation are equal to the prices of actual usage of the service.

2.5 During the contract period, the Licensee's responsibilities include the followings:

2.5.1 The licensee should not make any changes by himself or through third party to JT facilities without a prior written approval from JT. JT shall response to the modification request within 10 working days of receipt of a request.

2.5.2 The Licensee should bear all the costs of the changes as per sub clause 2.5.1 whenever approved by JT.

2.5.3 The Licensee should make changes, if approved, under the supervision of JT.

2.5.4 Any damages that may occur to JT facilities during installing, operating, maintaining the Licensee's equipment or during changes made to JT facilities by the Licensee or on behalf of him will be borne by the Licensee. For the avoidance of doubt, the Licensee will bear the costs of such damages and the correction should be supervised and approved by JT.

Should the Licensee not correct the damages as stated above within one month from the notification; JT proceeds with the reasonable works necessary to correct the damages and charges the Licensee the full cost incurred.

- 2.6 JT has the right to make changes in its premises or facilities without the need for permission from the Licensee. However, where these changes affect the Service as purchased by the Licensee as in any of the following cases:
- 2.6.1 Decision to close or remove the relevant facilities where physical Collocation and Infrastructure Sharing Service in use.
  - 2.6.2 Rearranging or temporarily removing JT facilities for maintenance works.
  - 2.6.3 Reconfiguration or development of JT sites and equipment affecting the physical facility in use for the service or immediately adjacent spaces which might reasonably be expected to affect the provision of the Collocation and Infrastructure Sharing Service.
  - 2.6.4 Decision to relocate all or any portion of the facilities where physical Collocation and Infrastructure Sharing Service is provided to the Licensee.

Then, JT has to make 6 (six) months prior written notice to the affected Licensee to find an acceptable and reasonable solution depending on the case, JT will then offer an alternative solution and/or bear the charges related to such change upon justification from the Licensee.

- 2.7 JT is not responsible for any damages that may occur to the Licensee's equipment due to Force Majeure as defined in JT's RIO.
- 2.8 In the case of a fault occurring on any Collocation and Infrastructure Sharing Service supplied by and under the control of JT, JT shall commence to resolve the fault within 4 (four) hours during office hours and 8 hours during outside office hours (inside/outside office hours as defined in JT's RIO) of opening a trouble-ticket by the affected Licensee to JT. JT shall bear the costs of resolving the fault unless it can be shown by the JT that the responsibility for the fault lies with Licensee.
- 2.9 In the event of circumstances beyond the control of JT but affect the Service as purchased by the Licensee as in any cases described under paragraph 2.6, then JT shall provide 6 (six) months advance warning, and in any case as much notice as is reasonably possible to the affected Licensee to find an acceptable and reasonable solution. Such circumstances may include:
- 2.9.1 Maintenance works of the real estate requesting temporary movement of the physical Collocation and Infrastructure Service is in use.
  - 2.9.2 Redevelopment or civil works affecting the physical facility in use for the Service or immediately adjacent spaces which might reasonably be expected to affect the provision of the Collocation and Infrastructure Sharing Service.
  - 2.9.3 If a third party with legal authority orders or threatens to order such relocation (e.g., through eminent domain, nationalization, or expropriation).
  - 2.9.4 In order to comply with applicable laws.

In such circumstances, JT shall not be liable to pay for the Licensee, and the period of service suspension shall be deducted from JT invoices to Licensees.

- 2.10 If JT is in a clamant need to the shared facility and there are no reasonable alternatives available to JT; JT has the right not to renew the contract with the Licensee subject to giving six (6) months notice in advance to the Licensee before the end of the contract term.
- 2.11 In the event that JT reconfigures its Network in order to increase its efficiency, and this reconfiguration requires the reinstallation of equipment at existing or new Collocation and Infrastructure Sharing Service, the costs of the reinstallation of such equipment shall be borne by JT, unless the reconfiguration is part of a planned upgrade programme in which case the costs shall be settled in accordance with clause 11.2 of the Main Offer Document in JT RIO.
- 2.12 For more details about technical information of JT Collocation and Infrastructure Sharing Service, see Addendum to Annex D of JT's RIO attached with this document. Delivery lead times for service provisioning are listed in Basic Service Level Offer in JT's RIO (B-SLO). A service level offer for the duct and dark fiber sharing service can be found in the Addendum to JT's RIO Service Level Offer listed in page 20 in this document.
- 2.13 If JT relocate all or any portion of the fiber provided to the licensee or any of the facilities required to provide licensee with the fiber as described under paragraph 2.9, the Licensee should align his equipment according to the new attenuation levels.
- 2.14 If the Licensee changes the termination point or his requirements after the feasibility study which leads to extra intervention cost or materials, he will be subjected to pay this extra cost upon JT request.
- 2.15 To recover JT efforts during feasibility study, the Licensee has to pay 20% of the set up fees before starting the feasibility study. The followings will be applicable to this advance insurance payment:
- 2.15.1 this sum is non refundable in case of licensee's withdrawal after JT positive response for the feasibility study,
  - 2.15.2 this sum is paid back totally to the licensee in case the service is unavailable; any such pay back to the licensee should be effected by JT along with its notice of unavailability,
  - 2.15.3 this sum will be extracted from the set up fees, when the licensee applies officially for the service after JT positive response.
- 2.16 Length of shared dark fiber is the actual distance (not radial) between JT ODFs Optical Distribution Frame at each end of the Link
- 2.17 JT will share its fiber with other licensees based on the principle that the shared dark fiber will be used specifically by the licensee himself for its own operating purposes and services, meaning that it is not allowed to re-share fiber with others.

- 2.18 The charges for sharing ducts under the roads, bridges, railways, are to be applied on case by case basis and shall be cost based as far as is practicable.
- 2.19 Duct sharing is not available between governorates as all the cables are direct buried.
- 2.20 Licensee facilities must be placed and maintained in accordance with JT specifications and supervision.
- 2.21 Duct sharing will not be permitted for:
  - 2.21.1 The ducts that are reserved for future needs, maintenance purposes (at least one duct shall be kept vacant as a maintenance duct and as an alternative to the damaged ones) and emergency.
  - 2.21.2 The ducts that traverse the JT building entrance facilities, entrance links, equipment rooms, remote terminals, and cable vaults.
- 2.22 Length of shared ducts is measured from the centre of manholes/handholes. The total duct length is measured based on the actual distance of duct route (not radial).
- 2.23 JT will share its ducts with other licensees based on the principle that the shared ducts will be used specifically by the licensee himself for its own operating purposes and services, meaning that it is not allowed to re-share ducts. In case unauthorized occupancies are detected, JT shall serve a written notice (“breach notice”) on the Licensee in breach specifying the breach and the time limit for the unauthorized equipment to be removed. If the Licensee in breach fails to remove the unauthorized equipment within 10 (ten) Calendar Days, or such longer period as specified in the breach notice, JT may remove the other Licensee’s unauthorized equipment. In addition, the Licensee shall pay compensation of 1.5 of total sum of setup fees and monthly rental as if they had been in place from the beginning of Handover Date in addition to any losses, damages and expenses resulting from such use.
- 2.24 If extension of Licensee's cable is possible without extra work, JT will issue an occupancy permit for ducts; if extra work is needed, JT will issue an estimate of the costs which will be paid by the licensee. After completion of the work, an occupancy permit is issued. The time estimate for carrying out work along with the estimate of the costs is given within 10 days of receiving the licensee's payment for the work.
- 2.25 JT will not be liable to pay any compensation for the licensee in case of any damages to the licensee's cable in the shared ducts unless such damages are caused by JT interventions and in this case JT shall pay full compensation to the licensee.
- 2.26 If a dispute arises due to the actions made by JT such as the specified ones in clauses 2.6 and 2.9 which requires TRC intervention, then JT will cooperate with TRC in its investigations made for the purpose of resolving the dispute.
- 2.27 Rights and authorizations cannot be assigned, licensed or sub-let.

### **3. CHARGES**

- 3.1 The rates charged by JT for the running costs of collocation and infrastructure sharing services are as far as is practicable, cost based. Leases for the collocation space should reflect local market values.
- 3.2 Specific charges vary from service location to another and are available on request from the Licensee as part of the feasibility study which commences the provisioning process (See JT RIO, Annex E).
- 3.3 Cancellation of requests for Collocation and Infrastructure Sharing Service shall incur charges that reflect the reasonable costs necessarily incurred by JT up to the point of formal notification of a cancellation request.
- 3.4 The charges of JT Collocation and Infrastructure Sharing Service are listed in the price lists of JT RIO attached with this document. All prices are subject to TRC approval.
- 3.5 For more details about JT Collocation and Infrastructure Sharing Service billing and charging structure, see clause B5 at Annex B of the new JT RIO attached with this document.
- 3.6 The duct and dark fiber sharing service charges comprises the followings:
  - 3.6.1 Non recurring (set up) charges per request.
  - 3.6.2 The recurring rental charges are set for each one pair of fiber per meter per year (in case of dark fiber sharing service) and for each meter of duct per year (in case of duct sharing service) paid on an equal monthly payment basis.
  - 3.6.3 Advance payment for feasibility study and survey which is set to 20 % of the calculated set up fees.



## **SCHEDUL 104. JT VOICE INTERCONNECT LINK EXTENSION**

### **1. DESCRIPTION OF SERVICE**

- 1.1 JT Voice Interconnect Link Extension service is defined as a service where JT provides transmission capacity, in multiples of 2 Megabit/s, between two JT Interconnect Nodes. At one of these JT Interconnect Nodes, the Licensee is interconnected by means of Collocated Voice Interconnect Link(s), and JT provides one or more 2 Megabit/s exchange ports at the other JT Interconnect Node.
- 1.2 JT Voice Interconnect Link Extension service may be provided using any appropriate technology.
- 1.3 JT Voice Interconnect Link Extension service shall be paid for by the Requesting Licensee.
- 1.4 The boundary between the JT and Licensee network shall be the JT Digital Distribution Frame at the Node where the Licensee is collocated.

### **2. TERMS AND CONDITIONS**

- 2.1 The minimum capacity of a JT Voice Interconnect Link Extension service will be 2 Megabit/s.
- 2.2 The minimum term under which an individual JT Voice Interconnect Link Extension service is provided is one year from the date of handover.
- 2.3 Planning of JT Voice Interconnect Link Service transmission paths, including civil engineering works will be the responsibility of JT. However, the Licensee shall collaborate in such planning exercises in accordance with clause 1.5 of the Main Document.
- 2.4 The Licensee may cancel the JT Voice Interconnect Link Extension Service upon written notice at least [1] month prior to the date of termination, subject to clause 2.2 above.

### **3. CHARGES**

- 3.1 JT Voice Interconnect Link Extension service charging elements include:
  - (a) Installation charge
  - (b) Exchange Port rental charge

- (c) Capacity rental charge based on radial kilometre distance between the two JT Interconnect Nodes.
- 3.2 Radial kilometre distances shall be rounded up to the nearest kilometre.
- 3.3 For each JT Voice Interconnect Link Extension service between any two JT Interconnect Nodes the charges shall be as set out in the JT Price List.
- 3.4 The cancellation of a request for services stipulated in this Schedule, where ordered within the forecast supplied by the Licensee in accordance with the forecasting procedures in Annex E, shall incur a full connection charge which shall be treated as a prepayment which the Licensee may apply to a similar 2 Megabit/s service on exactly the same route at any time during a period 12 months from the date of order of the initial cancelled circuit. Ongoing monthly rental charges shall not be applied to the cancelled service.
- 3.5 The cancellation of a request for service stipulated in this Schedule, where ordered outside the forecast supplied by the Licensee in accordance with the procedure at Annex E, shall incur a non-refundable charge amounting to 50% of the connection charge set out in the Price List.
- 3.6 For the avoidance of doubt, a request by the Licensee for the relocation of one or both termination points of the service shall be treated as a ceasing of the circuit in accordance with Clause 2.2 of this Service Schedule, the forecasting procedure set out in Annex E and a re-provision subject to the installation charge set out in the JT Price List.

## **SCHEDUL 105. JT NATIONAL CALL TERMINATION**

### **1. DESCRIPTION OF SERVICE**

- 1.1 Subject to the provisions of this Service Schedule, JT shall convey calls handed over from the Licensee Network at an Interconnect Node for termination to geographic number ranges in the JT Network.
- 1.2 The JT National Call Termination service shall be limited to calls to geographic number ranges allocated to JT by the TRC as per the Numbering Plan.
- 1.3 The JT National Call Termination service shall apply to calls that are handed over by the Licensee at a JT Interconnect Node in order to be routed efficiently to their point of termination.

### **2. TERMS AND CONDITIONS**

- 2.1 JT and the Licensee shall abide by all necessary technical requirements, including Call set-up and clear down sequences, for the conveyance of Calls pursuant to this Schedule as set out in the Interconnection Guidelines.
- 2.2 JT shall convey JT National Call Termination calls during those periods of time and at the same standard and quality of service as JT conveys all other Calls conveyed within the JT Network.
- 2.3 JT and the Licensee shall correct faults which occur in its Network which affect the conveyance of JT National Call Termination traffic in accordance with such Licensee's normal engineering practices. For the avoidance of doubt, neither JT nor the Licensee warrants that its Network is, or will be, free from faults.
- 2.4 Functionality across the JT and Licensee Networks relating to Advanced Call Services shall, where available, be made available by each Licensee to the other.

### **3. ROUTING**

- 3.1 The conveyance of JT National Call Termination calls shall be in accordance with the routing principles specified in the Network Plan. All Calls covered by this Service Schedule will be carried on installed JT Interconnection Links or over exchange ports at JT Collocation Facilities.

### **4. CHARGING**

- 4.1 For the conveyance of JT National Call Termination traffic by JT, the Licensee shall pay JT a charge calculated in accordance with the rates as specified in the Price List.

**5. CHARGING ARRANGEMENTS**

- 5.1 There shall be one basic charging level for JT National Call Termination traffic. Charging is time of day dependent. Traffic charging shall be based on chargeable cumulative seconds for all appropriate JT National Call Termination traffic in each Billing Period rounded to the nearest minute. The rates to be applied at each level shall be as set out in the JT Price List.

## **SCHEDUL 106. JT CALL TRANSIT**

### **1. DESCRIPTION OF SERVICE**

- 1.1 Subject to the provisions of this Service Schedule, JT shall convey calls routed via a JT Interconnect Node to the Network Interconnect of another Licensee.
- 1.2 The JT Call Transit service shall be limited to calls to number ranges set out in the Numbering Plan.

### **2. TERMS AND CONDITIONS**

- 2.1 JT and the Licensee shall abide by all necessary technical requirements, including Call set-up and clear down sequences, for the conveyance of Calls pursuant to this Schedule as set out in the Interconnection Guidelines.
- 2.2 JT shall convey JT Call Transit calls during those periods of time and at the same standard and quality of service as JT conveys all other Calls originated within the JT Network.
- 2.3 JT and the Licensee shall correct faults which occur in its Network which affect the conveyance of JT Call Transit traffic in accordance with such Licensee's normal engineering practices. For the avoidance of doubt, neither JT nor the Licensee warrants that its Network is, or will be, free from faults.
- 2.4 Functionality across the JT and Licensee Networks relating to Advanced Call Services shall, where available, be made available by each Licensee to the other.

### **3. ROUTING**

- 3.1 The conveyance of JT Call Transit calls shall be in accordance with the routing principles specified in the Network Plan. All Calls covered by this Service Schedule will be carried on installed JT Interconnection Links.

### **4. CHARGING**

- 4.1 For the conveyance of JT Call Transit traffic by JT, the Licensee shall pay JT a charge calculated in accordance with the rates as specified in the Price List, as well as any termination charges levied by a Third Party for the termination of calls transited by JT to the network of the Third Party, as agreed in the Interconnect Agreement between JT and the Licensee.

## **5. CHARGING ARRANGEMENTS**

- 5.1 There shall be two basic charging levels for JT Call Transit traffic – single and double transit. Charging is time of day dependent. Traffic charging shall be based on chargeable cumulative seconds for all appropriate JT Call Transit traffic in each Billing Period rounded to the nearest minute.

## **SCHEDUL 107. JT NON-GEOGRAPHIC CALL ORIGINATION SERVICE**

### **1. DESCRIPTION OF SERVICE**

- 1.1 Subject to the provisions of this Service Schedule, JT shall convey Calls to non-geographic numbers allocated to the Licensee, originated by subscribers on the JT Network, across nominated Interconnect Links to be terminated by the Licensee. This shall comprise of all traffic with the leading digits “800<sup>1</sup>” and “09”.

### **2. TERMS AND CONDITIONS**

- 2.1 JT and the Licensee shall abide by all necessary technical requirements, including Call set-up and clear down sequences, for the conveyance of Calls pursuant to this Schedule as set out in the Interconnection Guidelines.
- 2.2 JT shall convey JT Non-geographic Call Origination Service Calls during those periods of time and at the same standard and quality of service as JT conveys similar Calls originating and terminating in its own Network.
- 2.3 JT and the Licensee shall correct faults which occur in its Network which affect the conveyance of JT Non-geographic Call Origination Service Calls in accordance with such Licensee’s normal engineering practices. For the avoidance of doubt, neither JT nor the Licensee warrants that its Network is, or will be, free from faults.
- 2.4 Functionality across the JT and Licensee Networks relating to Advanced Call Services shall, where available, be made available by each Licensee to the other.

### **3. ROUTING**

- 3.1 The conveyance of JT Non-geographic Call Origination Service Calls shall be in accordance with the routing principles specified in the Network Plan and all such Calls shall be delivered to the Licensee Interconnect Node only. All Calls covered by this Service Schedule will be carried on JT Interconnect Paths.

### **4. CHARGING**

- 4.1 For the conveyance of JT Non-geographic Call Origination Service Calls by JT, the Licensee shall pay a charge per minute as specified in the JT Price

---

<sup>1</sup> Subject to changes under the National Numbering Plan

List. Per minute traffic charging at each charge shall be based on chargeable cumulative seconds for each Billing Period rounded to the nearest minute.



## **SCHEDUL 108. JT NON-GEOGRAPHIC CALL TERMINATION SERVICE**

### **1. DESCRIPTION OF SERVICE**

- 1.1 Subject to the provisions of this Service Schedule, JT shall convey Calls to non-geographic numbers allocated to JT, originated by subscribers on the Licensee Network, across nominated Interconnect Links to be terminated by JT. This shall comprise of all traffic with the leading digits “800<sup>2</sup>” and “09”.

### **2. TERMS AND CONDITIONS**

- 2.1 JT and the Licensee shall abide by all necessary technical requirements, including Call set-up and clear down sequences, for the conveyance of Calls pursuant to this Schedule as set out in the Interconnection Guidelines.
- 2.2 JT shall convey JT Non-geographic Call Termination Service Calls during those periods of time and at the same standard and quality of service as JT conveys similar Calls originating and terminating in its own Network.
- 2.3 JT and the Licensee shall correct faults which occur in its Network which affect the conveyance of JT Non-geographic Call Termination Service Calls in accordance with such Licensee’s normal engineering practices. For the avoidance of doubt, neither JT nor the Licensee warrants that its Network is, or will be, free from faults.
- 2.4 Functionality across the JT and Licensee Networks relating to Advanced Call Services shall, where available, be made available by each Licensee to the other.

### **3. ROUTING**

- 3.1 The conveyance of JT Non-geographic Call Termination Service Calls shall be in accordance with the routing principles specified in the Network Plan and all such Calls shall be delivered to the JT Transit Interconnect Nodes. All Calls covered by this Service Schedule will be carried on JT Interconnect Paths.

### **4. CHARGING**

- 4.1 For the conveyance of JT Non-geographic Call Termination Service Calls by JT, JT shall pay a charge per minute as specified in the JT Price List. Per minute traffic charging for each service type shall be based on chargeable cumulative seconds for each Billing Period rounded to the nearest minute.

---

<sup>2</sup> Subject to changes under the National Numbering Plan

## **SCHEDUL 109. JT NATIONAL DIRECTORY ENQUIRIES**

### **1. DESCRIPTION OF SERVICE**

- 1.1 JT National Directory Enquiries service consists of all calls to the Access code “121<sup>3</sup>” which are routed to a JT Call Centre and answered by JT operators with access to the JT Directory System. JT will provide the telephone numbers of named subscribers available from the database for the caller.

### **2. TERMS AND CONDITIONS**

- 2.1 JT and the Licensee shall abide by all necessary technical requirements, including Call set-up and clear down sequences, for the conveyance of Calls pursuant to this Schedule as set out in the Interconnection Guidelines.
- 2.2 JT shall convey JT National Directory Enquiry Calls during those periods of time and at the same standard and quality of service as JT conveys similar Calls originated within the JT Network.
- 2.3 JT and the Licensee shall correct faults which occur in its Network which affect the conveyance of JT National Directory Enquiries traffic in accordance with such Licensee’s normal engineering practices. For the avoidance of doubt, neither JT nor the Licensee warrants that its Network is, or will be, free from faults.
- 2.4 Functionality across the JT and Licensee Networks relating to Advanced Call Services shall, where available, be made available by each Licensee to the other.

### **3. ROUTING**

- 3.1 The conveyance of JT National Directory Enquiry Calls shall be in accordance with the routing principles specified in the Network Plan and all such Calls shall be delivered to the JT Interconnect Nodes only. All Calls covered by this Service Schedule will be carried on JT Interconnect Link Services.

### **4. CHARGING**

- 4.1 For the handling of JT National Directory Enquiry Calls from the Licensee Network by JT, the Licensee shall pay to JT the charges as set out in the JT

---

<sup>3</sup> subject to changes under the National Numbering Plan

Price List. A JT National Directory Enquiry Call shall provide a maximum of two (2) listings per enquiry.

## **SCHEDUL 110. JT CALL CONNECTION SERVICE**

### **1. DESCRIPTION OF SERVICE**

- 1.1 JT Call Connection Services are accessed by dialling Access codes to reach an operator to seek assistance in making a voice call to any destination.
- 1.2 The Access code '0132 <sup>4</sup>' accesses the national and international JT call connection services.

### **2. TERMS AND CONDITIONS**

- 2.1 JT and the Licensee shall abide by all necessary technical requirements, including Call set-up and clear down sequences, for the conveyance of Calls pursuant to this Schedule as set out in the Interconnection Guidelines.
- 2.2 JT shall convey calls as stipulated in this Service Schedule during those periods of time and at the same standard and quality of service as JT conveys similar Calls originated within the JT Network.
- 2.3 JT and the Licensee shall correct faults which occur in its Network which affect the conveyance of International Access traffic in accordance with such Licensee's normal engineering practices. For the avoidance of doubt, neither JT nor the Licensee warrants that its Network is, or will be, free from faults.
- 2.4 Functionality across the JT and Licensee Networks relating to Advanced Call Services shall, where available, be made available by each Licensee to the other.

### **3. ROUTING**

- 3.1 The conveyance of JT Call Connection Service Calls shall be in accordance with the routing principles specified in the Network Plan and all such Calls shall be delivered to the JT Interconnect Nodes only. All Calls covered by this Service Schedule will be carried on Licensee billed Interconnect Paths.

---

<sup>4</sup> subject to changes under the National Numbering Plan

- 3.2 Subject to the provisions of this Service Schedule, JT shall convey the calls stipulated by this Schedule handed over from the Licensee's Network to a JT operator centre. This shall comprise all traffic with the digits "0132". The services stipulated within this Schedule shall be the same as that offered to customers directly connected to the JT Network. This shall include, but shall not be limited to, international person to person Calls.

#### 4. CHARGING

- 4.1 For the handling of Operator Service Calls from the Licensee Network by JT, the Licensee shall pay to JT the per minute charge as set out in the JT Price List. Traffic charging at each charge shall be based on chargeable cumulative seconds for each Billing Period rounded to the nearest minute.

## **SCHEDUL 111. JT EMERGENCY SERVICES**

### **1. DESCRIPTION OF SERVICE**

- 1.1 This service shall include Access code access to emergency services such as police, ambulance and fire services.
- 1.2 JT shall convey Emergency Service Calls handed over from the Licensee's Network for delivery to the relevant emergency service connected to the JT Network. This shall comprise all traffic to the Access codes specified in the Numbering Plan.

### **2. TERMS AND CONDITIONS**

- 2.1 JT and the Licensee shall abide by all necessary technical requirements, including Call set-up and clear down sequences, for the conveyance of Calls pursuant to this Schedule as set out in the Interconnection Guidelines.
- 2.2 JT shall convey JT Emergency Service Calls during those periods of time and at the same standard and quality of service as JT conveys similar Calls originated within the JT Network.
- 2.3 JT and the Licensee shall correct faults which occur in its Network which affect the conveyance of JT Emergency Service traffic in accordance with such Licensee's normal engineering practices. For the avoidance of doubt, neither JT nor the Licensee warrants that its Network is, or will be, free from faults.
- 2.4 Functionality across the JT and Licensee Networks relating to Advanced Call Services shall, where available, be made available by each Licensee to the other.
- 2.5 JT and the Licensee shall cooperate to achieve a technical solution that provides prioritised capacity to connect to public emergency services.

### **3. ROUTING**

- 3.1 Calls to emergency service Access codes shall be routed in accordance with the Network Plan.

### **4. CHARGING**

- 4.1 For the handling of JT Emergency Services Calls from the Licensee's Network by JT, the Licensee shall pay to JT the per call charges as set out in

the JT Price List. Traffic charging at each charge shall be based on chargeable cumulative seconds for each Billing Period rounded to the nearest minute.

## **SCHEDUL 112. JT INTERNATIONAL ACCESS <sup>5</sup>**

### **1. DESCRIPTION OF SERVICE**

- 1.1 JT shall convey JT International Access Calls, using the leading dialled digits "00" handed over from the Licensee's Network for delivery at a JT Interconnect Node through the JT international network.

### **2. TERMS AND CONDITIONS**

- 2.1 JT and the Licensee shall abide by all necessary technical requirements, including Call set-up and clear down sequences, for the conveyance of Calls pursuant to this Schedule as set out in the Interconnection Guidelines.
- 2.2 JT shall convey JT International Access traffic during those periods of time and at the same standard and quality of service as JT conveys similar Calls originated within the JT Network.
- 2.3 JT and the Licensee shall correct faults which occur in its Network which affect the conveyance of JT International Access traffic in accordance with such Licensee's normal engineering practices. For the avoidance of doubt, neither JT nor the Licensee warrants that its Network is, or will be, free from faults.
- 2.4 Functionality across the JT and Licensee Networks relating to Advanced Call Services shall, where available, be made available by each Licensee to the other.

### **3. ROUTING**

- 3.1 The conveyance of JT International Access traffic shall be in accordance with the routing principles specified in the Network Plan.

### **4. CHARGING**

- 4.1 JT International Access traffic will be charged as set out in the JT Price List. Traffic charges shall be based on chargeable cumulative seconds for all appropriate JT International Access traffic in each Billing Period rounded to the nearest minute.
- 4.2 Outbound traffic charges represent the per minute amounts payable by the Licensee to JT for access to international call termination services.

---

<sup>5</sup> This services is referred to as "JT International Call Transit Service" in the TRC ruling of 30<sup>th</sup> June 2003



## **SCHEDUL 113. JT SDH BANDWIDTH SERVICE**

### **1. DESCRIPTION OF SERVICE**

- 1.1 JT SDH Bandwidth Service shall be defined as a service where JT provides the Licensee with network capacity between two Nodes on the JT SDH network.
- 1.2 The boundary between the JT SDH network and the Licensee network shall be the JT Digital Distribution Frame at each JT Node.

### **2. TERMS AND CONDITIONS**

- 2.1 JT SDH Bandwidth Service is available nationwide from a number of sites on the JT SDH network. The List of sites is available on request from the Commercial Account Manager.
- 2.2 The Licensee may collocate its equipment at the designated Nodes in order to avail of the service, subject to the availability of Collocation facilities at the designated Nodes.
- 2.3 JT SDH Bandwidth Service is available in multiples of 2Mbps and subject to available capacity between the requested nodes.
- 2.4 JT SDH Bandwidth Service shall be paid for by the Requesting Licensee.
- 2.5 The minimum term under which each 2Mbps unit of JT SDH Bandwidth is provided is 1 (one) year from the date of handover.
- 2.6 The Licensee may cancel the JT SDH Bandwidth Service upon written notice at least 1 (one) month prior to the date of termination, subject to clause 2.5 above.

### **3. CHARGING**

- 3.1 JT SDH Bandwidth Service shall be charged in accordance with the JT Price List and shall consist of the following elements:
  - (a) [set up charge]
  - (b) [monthly rental per km]

- 3.2 Cancellations of requests for services stipulated in this Schedule prior to handover shall incur a non-refundable charge amounting to 50% of the set-up charge set out in the Price List.
- 3.3 For the avoidance of doubt, a request by the Licensee for the relocation of one or both termination points of the service shall be treated as a ceasing of the service in accordance with Clause 2.5 of this Service Schedule, and a new provision subject to the charges set out in this clause 3 and the JT Price List.

## **SCHEDUL 114. JT INTERNATIONAL IP CAPACITY**

### **1. DESCRIPTION OF SERVICE**

- 1.1 JT International IP Capacity is defined as a service where JT provides bi-directional capacity between the Licensee's collocated network equipment and the JT Network for the purposes of exchanging IP traffic with the global Internet via a JT IP International Gateway.

### **2. TERMS AND CONDITIONS**

- 2.1 JT International IP Capacity is only available in conjunction with JT collocation as specified in Appendix D.1 of Annex D.
- 2.2 The Licensee must have collocated its equipment at the designated Interconnect Node in order to avail of the service.
- 2.3 JT International IP Capacity is available in multiples of 2Mbps.
- 2.4 The boundary between the JT and Licensee network shall be the Licensee's side of the JT provided Patch Panel connecting the JT routers with the router(s) of the Licensee.
- 2.5 JT International IP Capacity shall be paid for by the Requesting Licensee.
- 2.6 The minimum term under which an individual JT International IP Capacity is provided is one year from the date of handover.
- 2.7 The Licensee may cancel the JT International IP Capacity Service upon written notice at least [1] month prior to the date of termination, subject to clause 2.6 above.

### **3. CHARGING**

- 3.1 JT International IP Capacity charges shall be in accordance with the JT Price List and shall consist of;
- (a) Set up charge
  - (b) Monthly capacity rental charge
- 3.2 Cancellations of requests for services stipulated in this Schedule and that contravene the procedures that permit the modification of JT International IP Capacity forecasting at Annex E shall incur a full installation charge. Ongoing monthly rental charges shall not be applied to cancelled ports. For

the avoidance of doubt, ports cancelled within the forecasting procedure rules shall carry no penalty charges.

- 3.3 A request by the Licensee for increase or decrease of capacity on the port shall incur a port configuration charge in accordance with Clause 3.1 and the JT Price List.

## **SCHEDUL 115. JT DATA INTERCONNECTION LINK SERVICE**

### **1. DESCRIPTION OF SERVICE**

1.1 JT Data Interconnect Link Service shall be defined as a service where JT provides dedicated bi-directional capacity over a circuit between JT's Network and the Network of the Licensee for the provision of data services.

1.2 JT Data Interconnect Link Service is either Collocated or Customer sited

### **2. TERMS AND CONDITIONS**

2.1 The minimum capacity of JT Data Interconnect Link Service shall be 2Mbps

2.2 JT Data Interconnect Link Service is available at the JT Data Interconnection Node(s) detailed at Appendix D.1 of Clause 6.

2.3 The minimum term for JT Data Interconnect Link Service shall be 1 (one) year from the date of handover of the service.

2.4 The Licensee may cancel the JT Data Interconnect Link Service upon written notice at least 1 (one) month prior to the date of termination, subject to clause 2.3 above.

### **3. CHARGING**

3.1 For Collocated and Customer Sited Interconnect, the following charges shall apply:

- a) Installation charge
- b) Data port monthly rental charge

3.2 In addition to the above, the following charges shall apply for Customer Sited Interconnect:

- a) Monthly circuit rental charge (first 16km)
- b) Monthly circuit rental charge, per km over 16km

3.3 The distance element of charging for Customer Sited JT Data Interconnect Link Service shall comprise a fixed rental charge for any Link within 16 kilometres of the JT Interconnect Node and, where applicable, rental charges for each kilometre of the Radial distance of the circuit over 16 kilometres. Radial distances shall be rounded up to the nearest kilometre

3.4 The installation and rental charges of each JT Data Interconnect Link Service shall be as detailed in the JT Price List

- 3.5 The cancellation of a request for services stipulated in this Schedule, where ordered within the forecast supplied by the Licensee in accordance with the forecasting procedures in Annex E, shall incur a full connection charge which shall be treated as a prepayment which the Licensee may apply to a similar service on exactly the same route at any time during a period 12 months from the date of order of the initial cancelled circuit. Ongoing monthly rental charges shall not be applied to the cancelled service
- 3.6 The cancellation of a request for service stipulated in this Schedule, where ordered outside the forecast supplied by the Licensee in accordance with the procedure at Annex E, shall incur a non-refundable charge amounting to 50% of the connection charge set out in the Price List
- 3.7 For the avoidance of doubt, a request by the Licensee for the relocation of one or both termination points of the service shall be treated as a ceasing of the service subject to Clause 2.3 of this Service Schedule, the forecasting procedure set out in Annex E and a new provision subject to the charges set out in this clause 3 and the JT Price List

## **SCHEDUL 116. DIAL-UP IP TRAFFIC COLLECTION**

### **1. DESCRIPTION OF SERVICE**

JT Dial-up IP Traffic Collection is a service whereby JT collects IP traffic consisting of dial-up calls destined to the Licensee. IP traffic is collected from the PSTN network through an access point on the JT IP Network for delivery in aggregated format at the Licensee's Interconnect Node.

### **2. TERMS AND CONDITIONS**

- 2.1 In order to avail of Dial-up IP Traffic Collection, the Licensee must have established a Data Interconnect Link, either collocated or customer sited, between its Interconnect node and the JT Data Network.
- 2.2 Dial-Up IP Traffic is initiated by the subscribers dialling 0810xxxxxx through its CPE connected to a telephone line on the JT PSTN Network.
- 2.3 The telephone line subscriber is responsible for the payment of the line rental and all charges for the duration of the call.
- 2.4 Dial-up IP Traffic is collected through 56Kbps ports on Network Access Servers (NAS) located on JT IP Network points of access around the country.
- 2.5 The number of ports ordered will determine the maximum number of simultaneous connections.
- 2.6 The Licensee shall order a number of ports according to its traffic collection requirements.
- 2.7 The minimum term for each port under this Service Schedule shall be 1 (one) year from the date of handover of the port.
- 2.8 The Licensee may cease a port upon written notice at least 1 (one) month prior to the date of termination, subject to clause 2.7 above.

### **3. CHARGING**

- 3.1 JT Dial-Up IP Traffic collection is subject to a monthly rental charge per port as specified in the Price List.
- 3.2 Re-arrangement conditions: subject to cease and re-provide

**SCHEDUL 117. JT BROADBAND IP TRAFFIC COLLECTION  
(BANDWIDTH BASED)**

**1. DESCRIPTION OF SERVICE**

JT Broadband Traffic Collection is a service whereby JT collects Broadband IP traffic originated on ADSL subscriber CPE through a point of access on the JT data network for delivery in aggregated format at the Licensee's Interconnect Node via the JT IP/MPLS Network, where the licensee can perform traffic engineering functions.

**2. TERMS AND CONDITIONS**

- 2.1 In order to avail of Broadband IP Traffic Collection, the Licensee must have established a Data Interconnect Link (DIL), either collocated or customer sited, between its Interconnect Node and the JT IP Network. The DIL is not part of the service if the Licensee equipment is not collocated in JT Data Centre (Hashem).
- 2.2 The broadband IP Traffic collected consists of IP packets originating on the CPE connected to the subscriber's ADSL line.
- 2.3 Broadband IP Traffic is collected through ADSL ports at DSLAMs on the JT data network and aggregated through JT IP Network. Each ADSL port is dedicated to one ADSL subscriber, ports shall be floating and no port restriction shall be applied.
- 2.4 The Licensee can order bandwidth capacity in megabits per second, the traffic will be capped according to the purchased bandwidth by the licensee.
- 2.5 The minimum term for this Service shall be 1 (one) year from the date of handover of the service. At each end of the term, the service will be automatically renewed for additional one year unless it is terminated with a prior notice at least one month prior to the date of termination.
- 2.6 This service schedule shall replace any other broadband traffic collection service schedules and will be referred to as the only reference for this service.

**3. CHARGES**

3.1 JT Broadband IP Traffic collection is subject to:

- 3.1.1 Monthly recurring charges per Mbps (mega bit per second) of bandwidth.
- 3.1.2 Non recurring charges defined as set up fees regardless of bandwidth, setup fees will apply on new licensees only.
- 3.1.3 Bandwidth upgrade is free of charge.



## **SCHEDUL 118. JT PERMANENT DATA TRAFFIC COLLECTION**

### **1. DESCRIPTION OF SERVICE**

- 1.1 JT Permanent Data Traffic Collection is defined as a service whereby JT collects customers Leased Lines generated traffic through its data network to the ISP's nominated POP originated on SDSL customer CPE through a point of access on the JT ATM Network.
- 1.2 Permanent Traffic Collection has three types of interfaces i.e. Ethernet, E1 ATM and E3 ATM.

### **2. TERMS AND CONDITIONS**

- 2.1 In order to avail of the Permanent Data Traffic Collection, the Licensee shall have a Data Interconnect Link with Jordan Telecom, either collocated or Customer Sited, between its Interconnect Node and the JT ATM Network.
- 2.2 The Permanent Data Traffic collection consists of Data Cells originating on the CPE connected to the customer's Leased line.
- 2.3 The Licensee shall order one port per customer to its service. The Leased Line customer is responsible for the payment of all charges associated with the installation and rental of the Leased line.
- 2.4 The minimum rental term for each port under this Service Schedule shall be one (1) year from the date of port handover.
- 2.5 The Licensee may cease a port upon written notice at least one (1) month prior to the date of termination, subject to clause 2.4 above.

### **3. CHARGES**

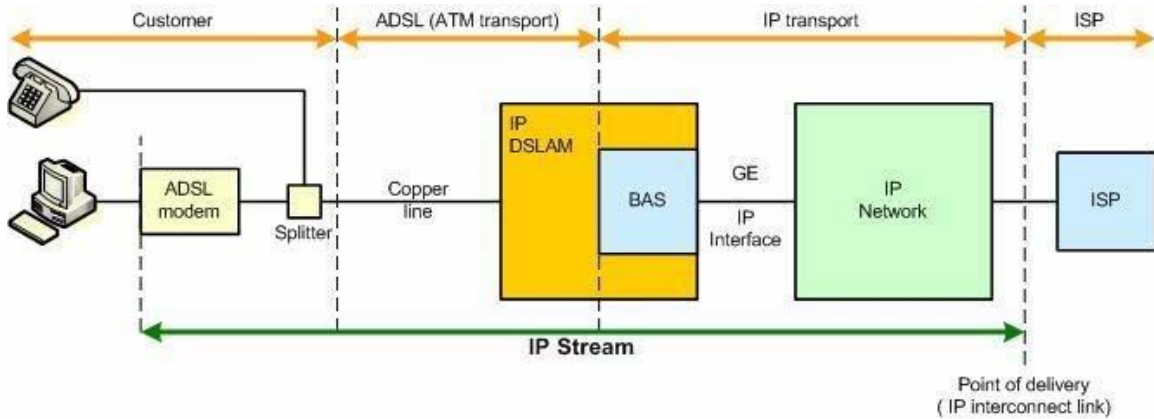
- 3.1 JT Permanent Data Traffic collection is subject to a monthly port rental charge as per port as per JT's RIO Price list.
- 3.2 For the avoidance of doubt, a request by the Licensee for the relocation of one or both interfaces/ termination points of the service shall be treated as a ceasing of the service in accordance with Clause 1 of this Service Schedule, and a new provision shall be subject to the charges set out in this clause and JT Price List.

## SCHEDUL 120. JT IPSTREAM SERVICE

### 1

#### 1. SERVICE DESCRIPTION

1.1. IPstream is defined as a broadband access product, through which the Licensee is able to provide IP based services to his customers while the original voice services continue to be provided by JT. This service is delivered over Asymmetrical Digital Subscriber Line (ADSL).



1.2. IPstream access intensifies competition by giving new market entrants a control over the customer at wholesale prices, and allowing them to offer ADSL lines for IP-Based Services in one-stop shop.

1.3. The IPstream service has two options:

1.3.1. Option (1): JT will deliver the modem, splitter and internal wiring to the Licensee's customer as a bundle.

1.3.2. Option (2): the Licensee will deliver the modem, splitter and internal wiring to his customer as a bundle.

## 2. TERMS & CONDITIONS

- 2.1. The Licensee's customer who wants to avail of the service should have a working PSTN line from Jordan Telecom.
- 2.2. The modem at the customer's site will be provided by Jordan Telecom according to IPstream option (1) based on International Telecommunication Union (ITU) standards and pre-testing and verifying of Customer Premises Equipment (CPE) by JT. A list of the recommended modems from JT for the IPstream service option (2) is attached to annex2 in Code of Practice. In addition to that, the IPstream Fault handling process in which JT needs permission from the Licensee to repair faults which are out of JT responsibility.
- 2.3. This service is restricted to be for IP based services, JT will not guarantee the quality of service for added value applications above the IP layer.
- 2.4. Where a JT PSTN voice service is suspended, Jordan Telecom shall not terminate the IPstream Service to the customer. The suspension period continues for two month where the customer still has the chance to restore the JT PSTN voice service. During the suspension period (two months), the Licensee will be obliged to pay the access line rental on behalf of the customer.
  - 2.4.1 Once the IPstream service customer resolves his/her outstanding balance with JT during the suspension period, the IPstream service shall be reactivated immediately and automatically
- 2.5. The IPstream service will be terminated for the terminated PSTN voice services customers and the Licensee will not be charged for these PSTN terminated customers.
  - 2.5.1 JT shall inform the licensee of the terminated PSTN voice service customer 20 days prior to the actual termination.
- 2.6. For option 1, defined in article 1.3.1 and in case of cancellation; whether it is a cancellation upon the ISP request or cancellation as a result of PSTN service termination JT has the right to get the modem fee as stated in the price list as per the following cases:
  - 2.6.1 If cancellation occurred after two years of subscription date, JT waives its right to get the modem fee.
  - 2.6.2 If cancellation occurred before ending two years of subscription the ISP will have to pay modem fee as stated in the price list.
- 2.7. Licensees should go through the following process to enable end users to change their service provider:

- 2.7.1 The current ISP should submit a cancellation request on the web tool specifying that this is a change ISP cancellation; all cancellation terms will be applicable on such cancellation.
  - 2.7.2 Cancellation will be pending for three days, during this period a new access request should be submitted from the new ISP.
  - 2.7.3 "Change ISP" fee as stated in the price list will be applied on those new access requests.
  - 2.7.4 The new access request should be with the same speed.
  - 2.7.5 These Change ISP process steps should be accomplished in the last ten days of the month.
- 2.8. For the IPstream service options, Licensee will be requested to select one option that will be applicable to all IPstream customers served by the said Licensee.
- 2.9. In case of IPstream option(2), whereby the installation of modem, splitter and internal wiring are performed by Licensee, the Licensee shall use its reasonable endeavours to ensure the continuing integrity of Jordan Telecom voice services during installation and operation of the Service.
- 2.10. The Licensee agrees that from time to time it may be necessary for Jordan Telecom to temporarily suspend the Service during periods of repair, essential maintenance or alteration or upgrade to Jordan Telecom's network. In the case of planned outage Jordan Telecom will give the Licensee five (5) Working Days' notice prior to such suspension of service by referring to Operation & Maintenance Manual Section, clause (7.2) Planned Engineering work in the JT RIO. Jordan Telecom will restore the service as soon as possible after such suspension. The service has still to be charged during the suspension of the service.
- 2.11. JT & the Licensee (jointly referred to as the Parties or individually as the Party) shall use the reasonable commercial endeavours to provide such information as the other Party may reasonably require in order for both Parties to perform their obligations towards the customer.
- 2.12. The IPstream service will be available to any Licensee within the coverage of the JT data network.
- 2.13. In order to avail of IPstream service, the Licensee must have established a Data Interconnect Link, either collocated or customer sited, between its Interconnect Node and the JT IP Network.
- 2.14. The capacity between the Digital Subscriber Line Access Multiplexer (DSLAM) and the Licensee's Data Interconnect Link is configured as Unspecified Bit Rate (UBR) with ten levels of speeds:

Table 2.12

<b>IPstream category</b>	<b>Downstream</b>	<b>Upstream</b>	<b>Class Of Service</b>
IPstream1	128 Kbps	64 Kbps	UBR
IPstream2	256 Kbps	64 Kbps	UBR
IPstream3	512 Kbps	128 Kbps	UBR
IPstream4	1024 Kbps	256 Kbps	UBR
IPstream5	2048 Kbps	512 Kbps	UBR
IPstream6	4 M	1024 Kbps	UBR
IPstream7	6 M	1024 Kbps	UBR
IPstream8	8 M	1024 Kbps	UBR
IPstream9	16 M	1024 Kbps	UBR
IPstream10	Up to 24 M	1024 Kbps	UBR

- 2.15. The Parties shall comply with the predefined processes such as sales, provisioning, fault handling and billing , procedures and standards set out in the IPstream service for options (1) & (2) and any development related to this service as some may be updated or modified from time to time.
- 2.16. Both Parties shall cooperate to maintain the continuity of the service according to their responsibility stated in this service schedule.
- 2.17. The two Parties accept to cooperate to the best of their respective abilities in order to prevent and eliminate any kind of fraud which involves services provided under this service.
- 2.18. The customer should have acceptance letter dated and signed as well as a photocopy of his/her ID attached with the official application form received from the Licensee.
- 2.19. Before any cancellation of PSTN line upon customer's request, the user must get an official clearance from the Licensee for the IPstream service.
- 2.20. JT reserves its right to recover the cost of repair if any reported fault to JT is not under JT's responsibility ("Intervention Fees" will be applicable) as per the mentioned fault responsibilities in the IPstream fault handling process.
- 2.21. The minimum term under this Service Schedule shall be 1 (one) year from the date of handover of the IPstream service.
- 2.22. ADSL availability tool will be defined in JT website for the authorized Licensees who will ask for the IPstream service with username & password to check the ADSL availability in real time results.

*2.23. Operation and maintenance terms and conditions:*

- 2.23.1 The Licensees shall fulfil all authentication, authorization and addressing functions.
- 2.23.2 The customer is served by a DSLAM from the nearest local exchange.
- 2.23.3 Licensee's traffic is delivered to the nearest Broadband Access Server (BAS) then tunnelled to the Licensee either via IP Layer2 Tunnelling Protocol (L2TP) or via L2VPN as an option to the Licensee delivered through the IP network
- 2.23.4 For option (1), Jordan Telecom provides the modem, and splitter, and it is JT's responsibility to install and test the modem.
- 2.23.5 Jordan Telecom will have the responsibility for the provision, repair and the maintenance of the JT related elements of IPstream service.
- 2.23.6 Connectivity between the Licensee collocated node and the Licensee's premises is not part of the IPstream service.

*2.24. Responsibilities:*

2.24.1. Responsibilities of Jordan Telecom:

- 2.24.1.1 Jordan Telecom will keep the full ownership of the equipment and network elements that belong to it and that have been installed by Jordan Telecom or on behalf of Jordan Telecom and that are used to provide IPstream service to the ISP/ Licensee
- 2.24.1.2 Jordan Telecom remains solely responsible to define the equipment and technologies used in its network, as well as for determining the evolution in the said equipment and technologies.
- 2.24.1.3 Jordan Telecom is not responsible for the content of the communications conveyed by making use of its IPstream service.
- 2.24.1.4 Jordan Telecom in the IPstream option (1) is responsible for the installation of the internal wiring on the Customer premises through it self or through third party.
- 2.24.1.5 Jordan Telecom is responsible for the operation & maintenance of the modem & splitter for IPstream option (1).
- 2.24.1.6 Jordan Telecom is not responsible for the operation & maintenance of the modem & splitter for IPstream option (2).
- 2.24.1.7 Jordan Telecom is not responsible for the operation & maintenance of the internal wiring for IPstream options (1) & (2).
- 2.22.1.8 Jordan Telecom is only allowed to reject the service when it is technically impossible or when the network integrity is endangered.

2.24.2. Responsibilities of the Licensee:

- 2.24.2.1 Communicate to Jordan Telecom in accordance with predefined process related to order handling and fault handling of this service.

2.24.2.2 Provide, operate and maintain the modem, splitter and internal wiring for IPstream option (2).

2.24.2.3 To pay in due time the invoices sent by Jordan Telecom to cover the IPstream service.

### 3. CHARGES

3.1. The price structure in the IPstream service will consist of ten products, which are defined by the speeds listed in the table at clause 2.12. Jordan Telecom may introduce other speeds on a phased basis depending on the market demand.

3.2. JT IPstream service is subject to a monthly rental charge per speed as specified in the price list, and to Installation charges are paid once prior to service delivery.

## **ADDENDUM TO JT PRICELISTS (JT RIO)**

### **JT IPSTREAM SERVICE**

- IPstream non-recurring charges :

<b>Service categories</b>	<b>Unit</b>	<b>Charges (JD)</b>	<b>Comments</b>
IPstream Installation	per user	36	paid once
Intervention visits	per visit	25	paid if the fault is not related to JT
Location transfer	per user	36	per request
Speed upgrade	per user	10	per modification
Speed downgrade	per user	10	per modification
Change ISP	per user	20	per modification
Modem Fee	per user	9	On Cancellation

## ADDENDUM TO JT BASIC SERVICE LEVEL OFFER (JT RIO)

### JT IPSTREAM SERVICE

#### 1. Delivery Lead time:

1.1 80% within (10) calendar days from receiving a valid order.

#### 2. Time to Repair (TTR):

2.1 For the core network: it is similar to International IP Capacity schedule

2.2 For the access network: Similar to ADSL TTR:

- (75%) within 72 calendar hours.

- (95%) within 144 calendar hours.

#### 3. The minimum data rate committed by JT per speed is as follows:

IPstream category	Downstream	Upstream	Dimensioning speed
IPstream1	128 Kbps	64 Kbps	8.89 Kbps
IPstream2	256 Kbps	64 Kbps	13.33 Kbps
IPstream3	512 Kbps	128 Kbps	20 Kbps
IPstream4	1024 Kbps	256 Kbps	30.00 Kbps
IPstream5	2 M	1024 Kbps	45.00 Kbps
IPstream6	4M	1024 Kbps	67.50 Kbps
IPstream7	6 M	1024 Kbps	84.38 Kbps
IPstream8	8 M	1024 Kbps	101.25 Kbps
IPstream9	16 M	1024 Kbps	151.875 Kbps
IPstream10	Up to 24 M	1024 Kbps	190 Kbps

#### 4. Penalty:

Applicable on core network and similar to International IP Capacity (schedule114)

#### 5. Quality Of Service

5.1 Quality of Service of JT back bone network utilized to offer this service is according to section 5.4 of the Operation and Maintenance manual of JT RIO.

5.2 Performance monitoring in two domains:



- 5.2.1 Customer level: JT will monitor the status of the access network related to IPstream service and offer performance management accordingly.
- 5.2.2 Backbone Network level: JT will monitor the network element performance and offer a performance management on the backbone layer.

**SCHEDUL 121.      ADDENDUM TO ANNEX-B (JT RIO): BILLING AND PAYMENT**

**JT IPSTREAM SERVICE**

B.1 This clause refers to the service described in this Service Schedule.

B.2 Billing shall be carried out in accordance with the charging structure outlined in the Service Schedule and at the rates detailed in the Price List. The Licensee shall pay Jordan Telecom the applicable Charges for the Service as set out in the IPstream Service Price List. However these charges are not final and will be modified as approved by TRC.

B.3 The Commencement of Charging for each type of the IPstream service shall be from the date of handover of each unit ordered under the terms of the relevant Service Schedule. The Billing Period for a service shall be monthly in advance with each month commencing on the 1st day of that Calendar month.

B.4 Billing shall involve an initial invoice for Installation and Rental Costs from the Commencement Date of Charging to the start of the next Billing Period. Thereafter invoicing will be monthly in advance.

B.5 The Licensee shall be liable for payment of the full invoice no later than thirty (30) days from the date of the invoice.

B.6 Billing and payment for the Service are as set out in the IPstream Service Price List.

## **ADDENDUM TO ANNEX-A: TECHNICAL DEFINITIONS (JT RIO)**

### **JT IPSTREAM SERVICE**

ADSL	Asymmetric Digital Subscriber Line
CPE	Customer Premises Equipment
DSLAM	Digital Subscriber Line Access Multiplex
IP	Internet Protocols
ISP	Internet Service Provider
ITU	International Telecommunication Union
L2TP	Layer 2 Tunneling Protocol
MDF	Main Distribution Frame
PSTN	Public Switched Telephone Network
QoS	Quality of Service
TTR	Time to Repair
UBR	Unspecified Bit Rate

**SCHEDUL 122. THIRD PARTY CARRIER SELECTION AND PRE-SELECTION TRAFFIC ORIGINATION**

**1. DESCRIPTION OF SERVICE**

- 1.1 Subject to the provision of this Service, JT shall convey traffic originated by subscribers of a Primary Service Provider's retail access services to the interconnection path between the Primary Service Provider and JT and subsequently to the interconnection path between JT and the Licensee, provided the subscriber prefixes the full international dialling code, including the digits '00' with the Carrier Access Code issued to the Licensee by the TRC.
- 1.2 This Service shall apply to traffic that is handed over to JT by the Primary Service Provider and subsequently by JT to the Licensee from a JT Interconnect Node in order to be routed efficiently to their point of termination by the Licensee.
- 1.3 It is understood by both JT and the Licensee that traffic originated under this Service schedule by subscribers of the Primary Service Provider's Retail Access Services shall not incur a retail charge for the traffic.

**2. TERMS AND CONDITIONS**

- 2.1 JT and the Licensee shall abide by all necessary technical requirements, including Call set-up and clear down sequences, for the conveyance of traffic pursuant to this Schedule as set out in the Interconnection Instructions.
- 2.2 JT shall convey JT Third Party Carrier Selection and / or Pre-Selection Origination traffic during those periods of time and at the same standard and quality of service as JT conveys all other Calls conveyed within the JT Network.
- 2.3 JT and the Licensee shall correct faults which occur in their Networks which affect the conveyance of JT Third Party Carrier Selection Origination traffic in accordance with JT and such Licensee's normal engineering practices. For the avoidance of doubt, neither JT nor the Licensee warrants that its Network is, or will be, free from faults.
- 2.4 Functionality across the JT and Licensee Networks relating to Advanced Call Services shall, where available, be made available by each Licensee to the other.
- 2.5 The Carrier Access Code to be dialled by the subscribers of the Primary Service Provider wishing to use the services of the Alternative Service Provider shall be notified by the TRC to be listed in the National Numbering Record.
- 2.6 The Licensee shall have complied with and continue to comply with the TRC's Carrier Selection and / or Pre-Selection Instructions.

- 2.7 JT and the Licensee shall agree to abide by the Code of Practice as agreed by the industry forum arising from the TRC's Carrier Selection and / or Pre-Selection Instructions and approved by the TRC.
- 2.8 The Licensee shall pay the traffic origination charge as specified in the JT Price List for such traffic.
- 2.9 The Licensee shall be responsible for terminating the traffic at the destination dialled.
- 2.10 The Licensee shall provide JT and the Primary Service Provider, on reasonable notice, with details of its customer education programme as approved by the TRC in accordance with the Carrier Selection and / or Pre-Selection Instructions, including contact details for the Licensee's retail customer services department.
- 2.11 JT shall have a pre-existing interconnection agreement with the Primary Service Provider who shall provide their own equivalent carrier selection and / or Pre-Selection call origination service to JT which shall be transited to the Licensee. To the extent that JT is unable to comply with the obligations set out in this Reference Interconnection Offer as a consequence of the nature of the service offer made by the Primary Service Provider to JT, JT and the Licensee acknowledge that JT shall have no liability.

### 3. **ROUTING**

- 3.1 The conveyance of JT Third Party Carrier Selection and / or Pre-Selection Origination traffic shall be in accordance with the routing principles specified in the Network Plan. All traffic covered by this Service Schedule will be carried on installed JT Interconnection Links or over Exchange Ports at JT Collocation Facilities.
- 3.2 Routing plan for this Service shall take precedence over the routing plan for Carrier Pre-Selection traffic The Origination service.

### 4. **CHARGING**

For the conveyance of JT Third Party Carrier Selection and / or Pre-Selection Origination traffic by JT, the Licensee shall pay JT a charge calculated in accordance with the rates as specified in the Price List.

### 5. **CHARGING ARRANGEMENTS**

There shall be one basic charging level for JT Third Party Carrier Selection and / or Pre-Selection Origination traffic. Traffic charging shall be based on chargeable cumulative seconds for all appropriate JT Third Party Carrier Selection and / or Pre-

Selection Call Origination traffic in each Billing Period rounded to the nearest minute. The rates to be applied at each level shall be as set out in the JT Price List.

## **SCHEDUL 123. JT CARRIER SELECTION TRAFFIC ORIGINATION**

### **1. DESCRIPTION OF SERVICE**

- 1.1 Subject to the provision of this Service, JT shall convey calls originated by subscribers of JT's Retail Access Services to the interconnection path between the Licensee and JT provided the subscriber prefixes the full international dialling code, including the digits '00', with the Carrier Access Code issued either to the Licensee by the TRC or authorised to be transited by the Licensee to an Alternative Service Provider.
- 1.2 The JT Carrier Selection Call Origination service shall apply to calls that are handed over to the Licensee from a JT Interconnect Node in order to be routed efficiently to their point of termination by the Licensee.
- 1.3 Calls originated under this service schedule by subscribers of JT's Retail Access Services shall not incur a retail charge for the calls provided under this Service Schedule.

### **2. TERMS AND CONDITIONS**

- 2.1 JT and the Licensee shall abide by all necessary technical requirements, including Call set-up and clear down sequences, for the conveyance of Calls pursuant to this Schedule as set out in the Interconnection Instructions.
- 2.2 JT shall convey JT Carrier Selection Call Origination calls during those periods of time and at the same standard and quality of service as JT conveys all other Calls conveyed within the JT Network.
- 2.3 JT and the Licensee shall correct faults which occur in its Network which affect the conveyance of JT Carrier Selection Call Origination traffic in accordance with such Licensee's normal engineering practices. For the avoidance of doubt, neither JT nor the Licensee warrants that its Network is, or will be, free from faults.
- 2.4 Functionality across the JT and Licensee Networks relating to Advanced Call Services shall, where available, be made available by each Licensee to the other.
- 2.5 For the avoidance of doubt, the terms and conditions of JT subscriber's Retail Access Services shall not be affected by this service.
- 2.6 The Carrier Access Code to be dialled by JT subscribers wishing to use the services of the Alternative Service Provider shall be notified by the TRC to be listed in the National Numbering Record or listed in the National Numbering Record.
- 2.7 Should the Carrier Access Code not have been allocated to the Licensee in accordance with clause 2.6 of this Service Schedule, the Licensee shall provide to JT, prior to entering into an agreement to convey Calls pursuant to this Service Schedule, evidence of the Licensee's authorisation to convey traffic using the

requested Carrier Access Code.

- 2.8 The Licensee shall have complied with and continue to comply with the TRC's Carrier Selection Instructions.
- 2.9 JT and the Licensee shall agree to abide by the Code of Practice as agreed by the industry forum arising from the TRC's Carrier Selection Instructions and approved by the TRC.
- 2.10 The Licensee shall pay the call origination charge as specified in the JT Price List for such calls.
- 2.11 JT shall not be responsible for terminating the call at the international destination dialled.
- 2.12 JT shall not be responsible for issuing and collecting any retail charges due from JT access service subscribers in respect of such retail services the Alternative Service Provider may provide to JT's Retail Access Services subscribers.
- 2.13 The Licensee shall provide to JT on reasonable notice details of its customer education programme, or that of the Alternative Service Provider for whom the Licensee is providing a transit service for Calls provided in accordance with this Service Schedule, as approved by the TRC in accordance with the Carrier Selection Instructions, including contact details for the Alternative Service Provider's customer services department

### **3. ROUTING**

- 3.1 The conveyance of JT Carrier Selection Call Origination calls shall be in accordance with the routing principles specified in the Network Plan. All Calls covered by this Service Schedule will be carried on installed JT Interconnection Links or over Exchange Ports at JT Collocation Facilities.
- 3.2 The routing plan for JT Carrier Selection Call Origination service shall take precedence over the routing plan for Carrier Pre-Selection Call Origination service.

### **4. CHARGING**

For the conveyance of JT Carrier Selection Call Origination traffic by JT, the Licensee shall pay JT a charge calculated in accordance with the rates as specified in the Price List.

### **5. CHARGING ARRANGEMENTS**

There shall be one basic charging level for JT Carrier Selection Call Origination traffic. Charging is time of day dependent. Traffic charging shall be based on chargeable cumulative seconds for all appropriate JT Carrier Selection Call

Origination traffic in each Billing Period rounded to the nearest minute. The rates to be applied at each level shall be as set out in the JT Price List.



## **SCHEDUL 124. CARRIER PRESELECTION TRAFFIC ORIGINATION**

### **1. DESCRIPTION OF SERVICE**

1.1 Subject to the provision of this service, JT shall convey the international voice calls originated by a JT's Retail Access Service subscriber to the interconnection path between JT and the Licensee, provided that the subscriber has already made the necessary arrangements with JT and the Licensee as per the CPS Service Provisioning and Delivery Procedures adopted by the CS/CPS Industry Forum and approved by the TRC, and the Licensee shall have been issued a Carrier Access Code by the TRC.

1.2 The Carrier Preselection Traffic Origination service shall apply to calls that are handed over to the Licensee from a JT Interconnect Node in order to be routed by the Licensee efficiently and completed at their point of termination. JT in this case is called PSP (primary service provider) and the Licensee is called ASP (alternative service provider).

1.3 Calls originated under this service schedule by a JT's Retail Access Service subscriber shall not incur a retail charge payable by the originating subscriber for the purpose of this Service Schedule.

1.4 Carrier Selection Service offered under Service Schedule -122 overrides the Carrier Preselection Service offered under this "Carrier Preselection Traffic Origination" schedule 123 offered by Jordan Telecom.

### **2. TERMS AND CONDITIONS**

2.1 JT and the Licensee shall abide by all necessary technical requirements, including Call set-up and clear down sequences, for the conveyance of calls pursuant to this Service Schedule as set out in the Interconnection Instructions.

2.2 JT shall convey the Carrier Preselection Traffic during those periods of time and at the same standard and quality of service as JT conveys all other voice calls conveyed within the JT Network.

2.3 JT and the Licensee shall correct faults which occur in their Networks which affect the conveyance of the Carrier Preselection traffic in accordance with TRC Quality of Service Instructions. For the avoidance of doubt, neither JT nor the Licensee warrants that its Network is, or will be, free from faults.

2.4 Functionality across JT and the Licensee's Networks related to Advanced Call Services shall, where available, be made available by each Licensee to the other.

2.5 For the avoidance of doubt, the terms and conditions of JT subscriber's Retail Access Services shall not be affected by offering this service.

2.6 The Carrier Preselection Access Code is to be semi-permanently implemented in the retail customer profile at JT's local switch hosting such retail customer. In order to preselect and use the service of the ASP, the Carrier Preselection Code shall be notified by the TRC to be listed in the National Numbering Record or already listed in the National Numbering Record.

2.7 Should the Carrier Preselection Access Code not have been allocated to the Licensee in accordance with clause 2.6 of this Service Schedule, the Licensee shall provide to JT, prior to entering into an agreement to convey calls pursuant to this Service Schedule, an evidence of the Licensee's authorization to convey traffic using the requested Carrier Access Code.

2.8 JT and the Licensee shall have complied with and continue to comply with the TRC's Carrier Selection and Preselection Instructions.

2.9 JT and the Licensee shall agree to abide by the Code of Practice as agreed by the CS/CPS Industry Forum arising from the TRC's Carrier Selection and Preselection Instructions and approved by the TRC.

2.10 JT shall not be responsible for neither the quality nor the termination of the call at the dialled international destination.

2.11 The Licensee shall provide JT with evidence to prove that TRC has approved the Licensee's customer education program, or that of the ASP for whom the Licensee is providing a transit service for calls provided in accordance with this Service Schedule, as approved by the TRC in accordance with the Carrier Selection and Preselection Instructions, including contact details for the ASP's customer services and support department.

2.12 The Licensee shall serve a written request to JT to purchase the consolidated billing service for the CPS service for either the Licensee himself or on behalf of an ASP being transited through the Licensee.

2.13 The calling Line Identification (CLI) for all preselected calls shall be passed through to the ASP. However, for the avoidance of doubt, where JT's customers have requested / chosen that their caller line identity not to be made available to the called party, the ASP shall insure such provisions are made available for these customers if it is notified by JT.

2.14 For technical reasons, it is not possible to establish international calls by means of CPS from a particular JT customer's line, as long as international outgoing call barring is set on that customer's line upon his request.

2.15 Initial CPS-traffic forecast shall be provided by the ASP to JT, in order to readjust its network dimensioning to meet the new traffic demands. For the following periods, the ASP has to provide traffic forecast as per JT's RIO terms and conditions.

### **3. ROUTING**

3.1 The conveyance of the Carrier Preselection Traffic shall be in accordance with the routing principles specified in the Network Plan. All calls covered by this Service Schedule will be carried on an installed JT Interconnect Links or over an Exchange Port at JT Collocation Facilities.

3.2 The routing plan for the Carrier Selection Traffic shall have precedence over the routing plan for Carrier Preselection Traffic Origination service.

### **4. CHARGING**

4.1 For the conveyance of the Carrier Preselection Traffic Originated by JT's customers on JT's network, the ASP shall pay JT the charges calculated in accordance with JT's rates as specified in JT's RIO Price List, in addition to all the other relevant charges related to the provisioning of this service as approved by the TRC.

4.2 There shall be one basic charging level for Carrier Preselection Traffic Origination Service. Traffic charging shall be based on chargeable cumulative seconds for all appropriate Carrier Preselection Traffic Originated in each Billing Period rounded to the nearest minute. The rates to be applied at each level shall be as set out in JT's RIO Price List.

**SCHEDUL 125. JT 0800XXXXX PRE-PAID INTERNET DIAL-UP ACCESS SERVICE**

**1. DESCRIPTION OF SERVICE**

1.1 JT 0800xxxxx Pre-Paid Internet Access Service is a wholesale service whereby JT provides a SP (Service Provider) or an ISP (Internet Service Provider) with IP dial-up access service.

1.2 This service will be offered to ISP/ SP through JT's Network

1.3 The traffic generated by the customers using this service shall be destined and / or conveyed by the JT's relevant network.

1.4 The service (0800xxxxx) can not be provided stand-alone to ISP/ SP, but should be linked to one of the following existing RIO services: IP Dial-up Traffic Collection Port & Data Interconnect Link.

**2. TERMS AND CONDITIONS**

2.1 The provision of the 0800 Internet Dial-up Access Service is subject to the JT's right to recover its cost associated with the provisioning of this service.

2.2 The Licensee must have established a Data Interconnect Link, either collocated or customer sited, between its Interconnect node and the JT Data Network.

2.3 In order to avail the 0800xxxxx IP Dial-up Access Service, the Licensee shall avail all the means necessary / needed (if any) for the end user to access and use this service.

2.4 This 0800xxxxx IP Dial-Up Service is available to JT's PSTN customers.

2.5 0800xxxxx IP Dial-Up traffic exchange is initiated by the customer dialing 0800xxxxx from the Customer Premises Equipment (CPE) i.e. PSTN telephone line, Personal computer or a Laptop connected to a JT's PSTN Network line, or any other terminal developed in the future related to JT.

2.6 If the ISP / Service Provider uses this service to provide any other services to the JT's customers and / or any other customers other than what is specified in this schedule, Jordan Telecom has the right to either stop the service or charge the ISP / Service Provider according to the rate applicable to similar services offered by Jordan Telecom to it's customers or any other customers.

2.7 Either Party may cancel the service upon a written notice at least 1 (one) month prior to the date of termination, and the applicable regulatory obligations.

2.8 0800xxxxxx Dial-Up Internet Access traffic is collected through 56 kbps ports on JT's Network Access Servers (NAS); located on JT's IP Network points of access around the country. JT will offer this service on the basis of collecting the traffic through 56 kbps ports.

2.9 The number of ports ordered will be determined by the maximum number of communications needed simultaneously.

### **3. CHARGING**

3.1 JT 0800xxxxxx IP Dial-Up Access Service is subject to all service provisioning related charges including but not limited to monthly relevant rental charges as per the RIO approved Price Lists. This is in addition to any other relevant services, i.e. but not limited to hosting, Collocation fees approved by TRC.

3.2 The ISP/ SP who is purchasing this Dial-up Access Service is responsible for the charges related to traffic made of the 0800xxxxxx IP Dial-Up access service.

3.3 The 0800xxxxxx Service shall be charged in accordance with the JT Price List and shall not include the IP Dial-up Traffic Collection charges & the Data Interconnect Link charges. Installation charges.

3.4 Successful call is the one successfully connected to the ISP/SP network regardless having access to the internet or not.

## **SCHEDUL 501. INTERNATIONAL FLAG CONNECTION SERVICE**

### **1. DESCRIPTION OF SERVICE**

- 1.1 JT International FLAG Connection Service (IFCS) is the provision by JT to Licensees of a connection service to transport capacity of the international submarine cable of FLAG Telecom in Aqaba.
- 1.2 The service (IFCS) provides Licensees with a connection between either Licensee's DDF (Licensee's equipment collocated at Aqaba building) or JT's DDF in Aqaba (If Licensee's equipments are not collocated at Aqaba building) and FLAG submarine cable at the Aqaba landing station via JT's SDH equipment.
- 1.3 The service (IFCS) can not be provided stand-alone to Licensees, but should be linked to one of the following existing RIO services:
  - 1.3.1 JT Collocation service in Aqaba.
  - 1.3.2 Collocation in JT premises other than associated with JT SDH Bandwidth service to the JT site in Aqaba.
  - 1.3.3 Customer Sited Connection associated with JT Transmission Link service and JT SDH Bandwidth service.

### **2. TERMS AND CONDITIONS**

- 2.1 JT International FLAG Connection Service is available in capacities as specified in the Addendum to Annex A of JT RIO or multiples of them.
- 2.2 The service will be delivered within the limits of the capacity available based on the date of the requests following the 'first come, first served' principle.
- 2.3 The minimum term for the JT IFCS is 1 (one) year from the most recent Date of Handover for each order.
- 2.4 In respect of the JT IFCS, JT's responsibility is limited to the transmission path between JT's DDF and the Licensee equipment and between JT's DDF and the FLAG equipment
- 2.5 The quality of service parameters relating to JT IFCS are set out in the basic JT Service Level Offer.

2.6 Forecasting of Licensee capacity requirements for JT IFCS shall be in accordance with JT's forecasting procedures set out at Annex E, Appendix E1 of JT RIO.

### **3. CHARGES**

3.1 JT International FLAG Connection Service shall be charged in accordance with the JT Price List and shall consist of the following main elements:

- Installation charges
- Monthly rental charges

In case of collocating at Aqaba (see sub clause 1.3.1), the charges of collocation service at Aqaba will be added to the charges of service schedule 501.

3.2 The cancellation of a request for services stipulated in this Schedule, where ordered within the forecast supplied by the Licensee in accordance with the forecasting procedures in Annex E of JT RIO, shall incur a full connection charge which shall be treated as a prepayment which the Licensee may apply to a similar 2 Megabit/s service on exactly the same route at any time during a period 12 months from the date of order of the initial cancelled circuit. Ongoing monthly rental charges shall not be applied to the cancelled service.

3.3 The cancellation of a request for service stipulated in this Schedule, where ordered outside the forecast supplied by the Licensee in accordance with the procedure at Annex E of JT RIO, shall incur a non-refundable charge amounting to 50% of the connection charge set out in the Price List.

3.4 Adjusting JT IFCS capacity shall incur a full installation charge in accordance with the JT Price List for the capacity adjustment requested. Rental charges payable from the Date of Handover of the adjustment in bandwidth shall be at the level of the adjusted capacity in accordance with the JT Price List.